

PRO LINE

# CAV SA-4.0U/CAV SA-5.0U

## In-ground Alignment Scissor Lift

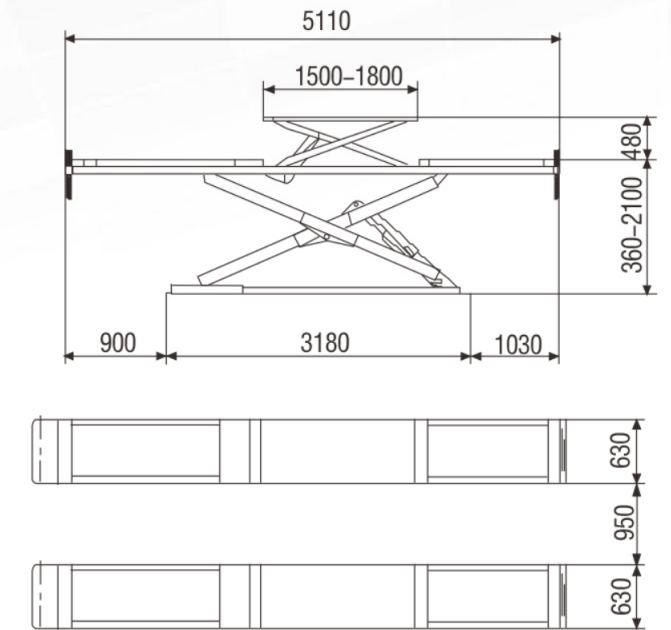
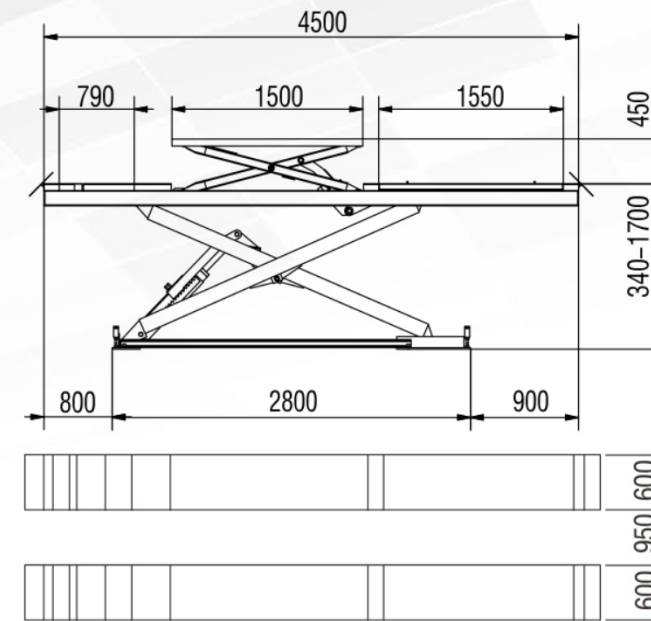


4000 | KG

5000 | KG



### Overall dimension



### Highlights

- Extreme long runways, ideal for cars, trucks and vans
- Under floor scissor lift with an integrated jacking beam, rear sliding plates and front recesses for optional turntables
- High-efficiency hydraulic power unit provides faster raising and descent times
- Hydraulic Synchronization control
- Automatic safety-lock pneumatic release system
- Powder coated finish
- Secondary-rise jack comes as standard inclusion
- Each lift passes the test of 115% dynamic load and 150% static load, safe and reliable
- Turntables for alignment is **optional**

### Technical

	CAV SA-4.0U	CAV SA-5.0U
Capacity	4000kg	5000kg
Max.Lifting height	1700 + 450mm	2100 + 480mm
Min.height	340mm	360mm
Platform length	4500mm	5000mm
Lifting time	50-60s	70-80s
Power of motor	3.0kW	3.0kW